

Signal Conversion Unit

ZXH-1

USER MANUAL

Sanmenxia ZhongyuanJingmi Co.,Ltd

To ensure your safe use of this instrument, please follow the following instructions

[Dangerous Matters]

1. There is electricity inside the instrument, which poses a risk of death and personal injury when touched.
2. Do not remove the casing except for professional maintenance personnel conducting maintenance inspections.
3. Before removing the casing, it is necessary to cut off the power and unplug the power plug.

[Warning Notice]

1. When the measuring device is moving forward (down) or backward (up), do not reach out, otherwise it may be caught by the oil cylinder and cause injury. It should be confirmed that the installed device has stopped moving before proceeding.
2. When measuring the movement of the measuring device, reaching out and touching it can cause injury. It should be confirmed that it has stopped before proceeding.

[Notes]

1. Abnormal use of the measurement and control departments is strictly prohibited.
2. The outer shell is prohibited from storing heavy objects, and sitting or stepping on the electrical box is prohibited.
3. For safety reasons, the power supply and grounding wires of various components must be grounded.
4. I hope to use it in the following environments
 - 1) Environmental temperature: 0-40 °C.
 - 2) Humidity: below 90%.
 - 3) Vibration: Below 0.1G (in areas with slight vibration).

[About Carrying Abroad]

Please inform our company in advance when taking this instrument out of the country due to various local regulations.

We are not responsible for any accidents that occur in the event of being carried abroad without declaration.

[Warranty Description]

1. This product warranty service is only valid under normal use.
2. Non product quality issues and malfunctions caused by abnormal use are not covered by warranty.

For example, malfunctions caused by the following circumstances, including but not limited to, are not covered by warranty:

- (1) The display panel was shattered due to external impact.
- (2) The user opened this product without authorization, which caused moisture and liquid ingress.
- (3) The user's wiring error or abnormal connection to the power supply caused this product to malfunction.

CONTENTS

| | |
|--|----------|
| 1、 Introduction | 1 |
| 2、 Features | 1 |
| 3、 Parameter | 1 |
| 4、 Trigger Position | 2 |
| 5、 I/O Interface And Connection | 2 |
| 6、 Installation Method | 2 |

1、 Introduction

ZXH-1 is a new type of control module, combined with a standard differential transformer type measuring device, used in CNC grinding machines and machining centers. Used for positioning, tool detection, workpiece alignment, and inspection. Reduce scrap rate, save processing and setting time, and improve product quality.

2、 Features

1) Outstanding performance: Digitized displacement changes can achieve 0.5 μ m. The triggering accuracy is 0.01 mm. Can provide at least 3 contact signals to meet various measurement needs.

2) Reliability: Advanced digital circuits with high anti-interference ability and reliability. Relay contact output, stable and reliable signal, easy to match.

3) Durability and ease of use: Matched with various mature measuring devices, stable and reliable, rich in spare parts, and easy maintenance.

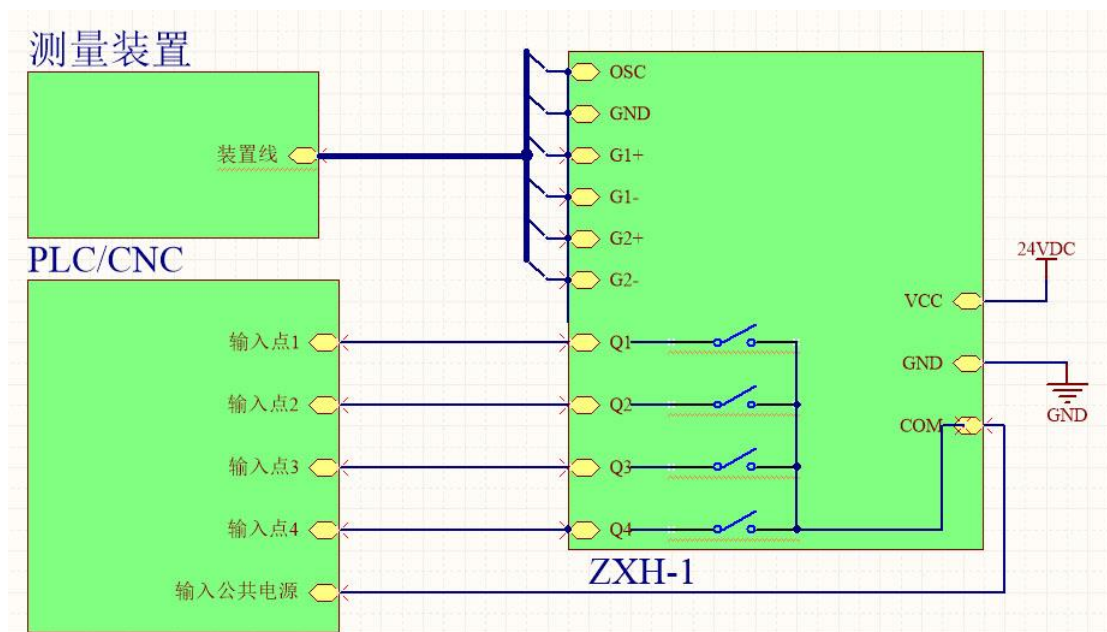
3 、 Parameter

| | |
|---------------------|-----------------------------|
| Source | 8-30V DC power supply |
| Input current | Less than 300mA |
| Signal output type | Relay contact 300mA (24VDC) |
| Display method | LED dual color |
| Signal form | Normally open |
| Size | 126 * 70 * 40 (body) |
| Weight | 130g (body) |
| Installation method | 35mm guide rail |

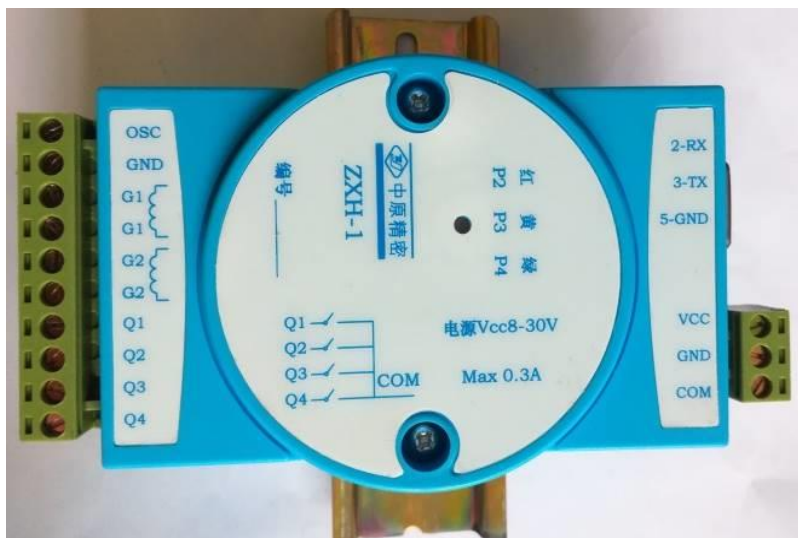
4 、 Trigger Position

| Position (relative to zero position) | Signal points | Indicator light |
|--------------------------------------|---------------|-----------------|
| 100 μ m | Q1 | |
| 40 μ m | Q2 | Red |
| 10 μ m | Q3 | Yellow |
| 0 μ m | Q4 | Green |

5 、 I/O Interface And Connection



6 、 Installation Method (35mmDIN Fixed installation of guide rails)



V1.1 202404



Sanmenxia ZhongyuanJingmi Co.,Ltd

Address: East Section of Weiliu Road, Sanmenxia Industrial Park, Henan Province, China

Tel: 0398-2751818 Fax: 0398-2751819

Postcode: 472000

<http://www.zyjm.com>